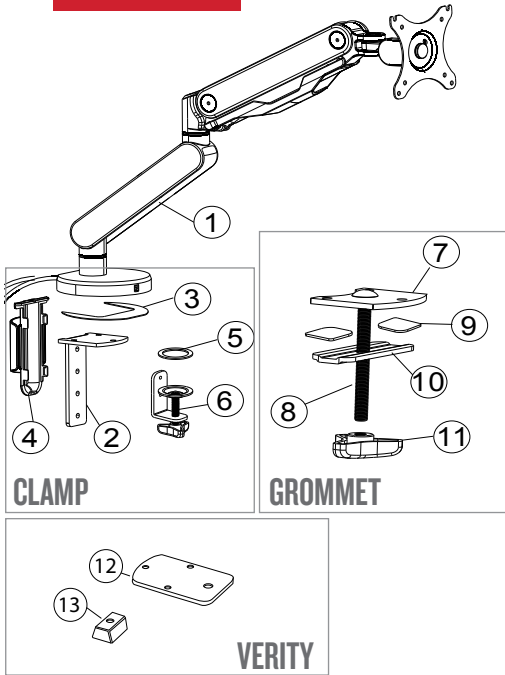
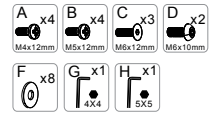


**FRÍANT**

**SINGLE**

# MONITOR ARM INSTALLATION

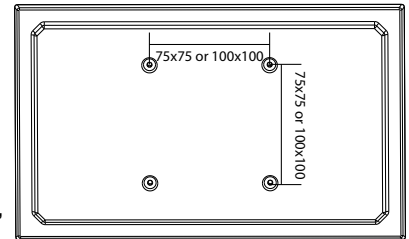


**Parts:**

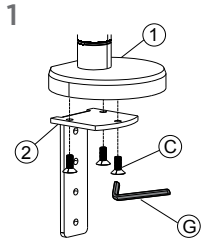
- |                                      |  |
|--------------------------------------|--|
| 1. monitor arm (1)                   | 8. screw (1)                           |
| 2. bottom support <i>clamp</i> (1)   | 9. anti-slip rubber <i>grommet</i> (2) |
| 3. anti-slip rubber <i>clamp</i> (1) | 10. pressure plate (1)                 |
| 4. cable cover (1)                   | 11. knob nut (1)                       |
| 5. anti-slip rubber <i>clamp</i> (1) | 12. bottom support <i>verity</i> (1)   |
| 6. knob (1)                          | 13. block <i>verity</i> (1)            |
| 7. bottom support <i>grommet</i> (1) |  |

**Step 1:**

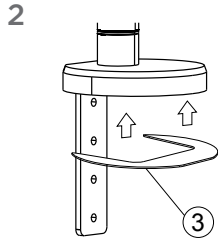
Make sure there are VESA holes (100 x 100mm or 75 x 75mm). Then, remove the original fixed base of the monitor. Make sure you are careful not to scratch the monitor screen. Accommodates screen size 10" - 30", monitor weight 4.4 - 19.8 lbs.



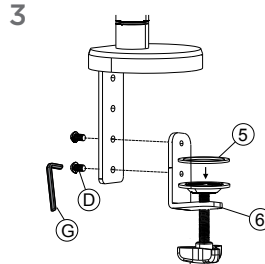
**Step 2A: Clamp Option**



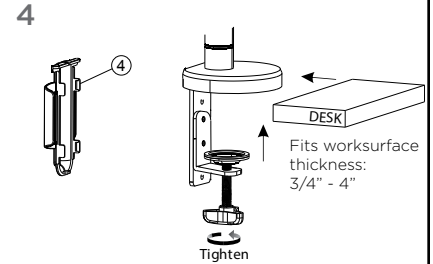
Use supplied allen wrench to attach to bottom support *clamp* with M6x 12mm screws (3).



Attach anti-slip rubber *clamp* to the bottom of the monitor arm.

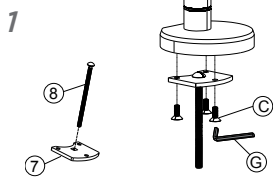


Using the allen wrench, attach the knob to the bottom support using M6x 10mm (2) screws. Place anti-slip rubber on top of the installed knob.

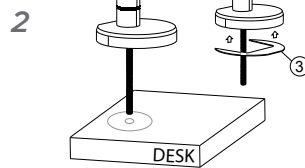


Insert desktop in the gap between the monitor arm and the bottom support. Place the cable cover over exposed cables.

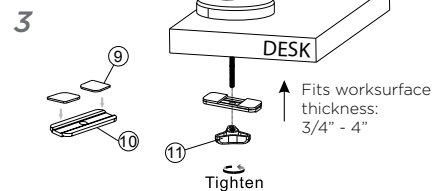
**Step 2B: Grommet Option**



Insert screw into bottom support *grommet*. Use allen wrench to attach bottom support *grommet* to monitor arm by using M6x 16mm screws (3).

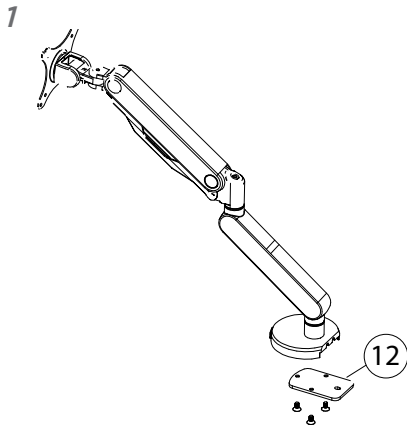


Attach monitor arm to desk, by inserting the base with the screw into the predrilled hole. Before you merge your monitor arm and your desk, make sure you are using the anti-slip rubber *grommet*.

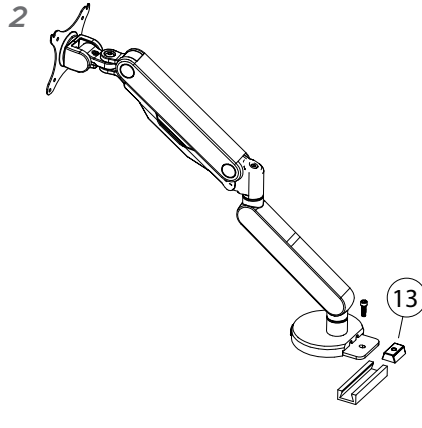


Attach anti-slip rubber *grommet* (2) to the pressure plate. Attach the pressure plate to the bottom of the work surface by screwing everything together with the knob nut.

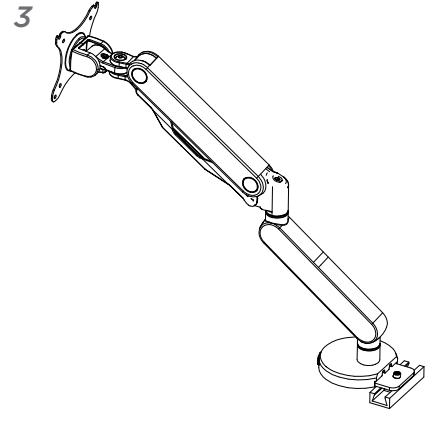
### Step 2C: Verity Track



Attach the bottom support *verity* to the monitor arm with screws (3).

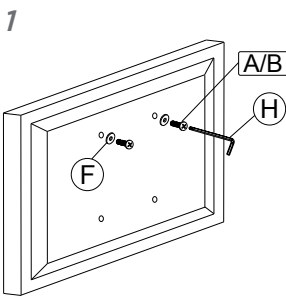


Insert the block into the Verity track. Then, using a screw, attach the monitor arm bottom support to the block.



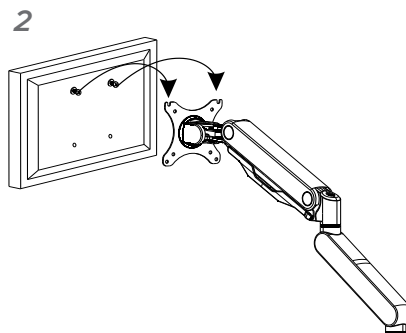
Final installation shown.

### Step 3: Install monitor to plate

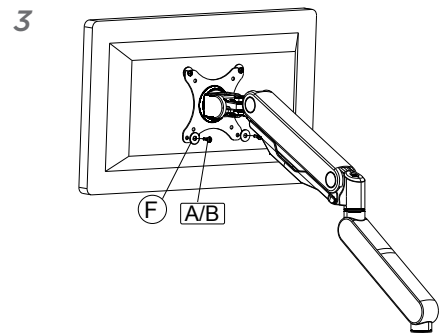


Increase washer(F) based on actual situation

Using M4x 12 mm or M5x 12mm screws, screw into the top holes on the back of the monitor.

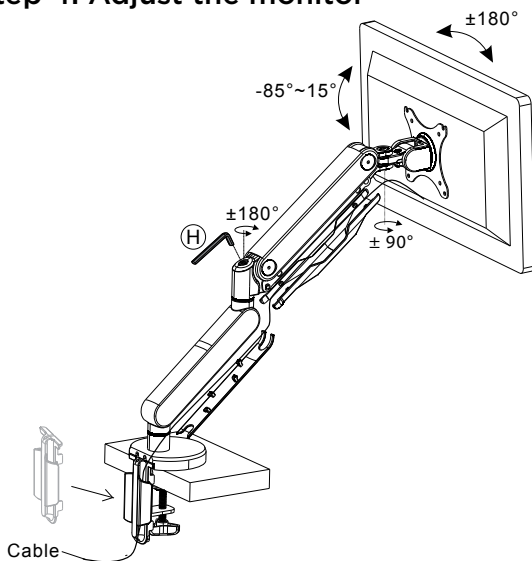


Position monitor by aligning screws with grooves in the upper corners of the monitor attachment bracket.

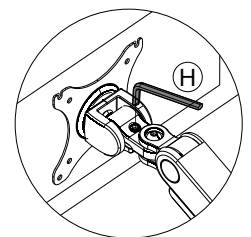
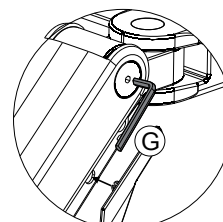
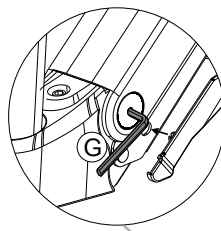


Using the bolts (2) and M4x 12mm (2) or M5x 12mm (2) to secure the monitor to the monitor arm.

### Step 4: Adjust the monitor



Adjust the monitor's height after installing. If the monitor is not at your desired height, please use the 5x5 allen key to adjust the screw on the arm. In order to make the weight of the mount and the monitor arm equal (so it can stop at any height), please adjust the screws accordingly; "-" direction in order to move the monitor up and "+" direction to move the monitor down.



To adjust the monitor, use the 4x4 allen key.